

PLEUELSTANGE / CONNECTING ROD

Kunde:
Customer:

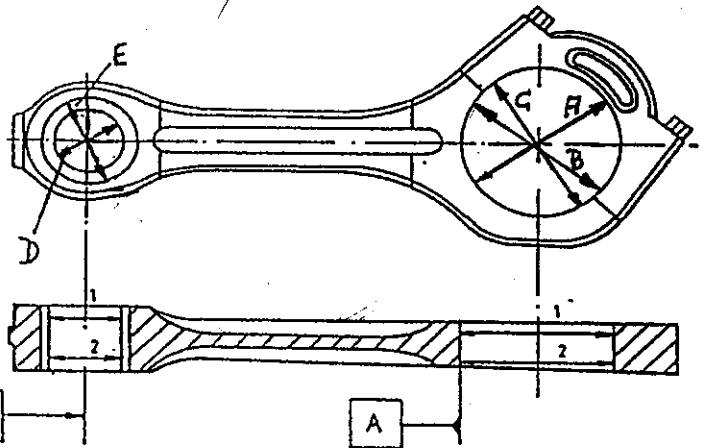
Auftrags-Nr.: 1/58286
Order-No.:

Motor-Type: Darbetsu DS26A
Engine-Type:

Schiffsname:
Vessels-Name:

PLEUELLAGER BOHRUNG /
BIG END BEARING BORE

Die Pleuelstangen sind vor dem Vermessen zusammenzuziehen.
Bolts tensioned



Stoß: gerade
 verzahnt

Surface finish symbol: // 0.02 / 100 A

| | |
|---|---|
| Anzugswerte: Tightening torque: — 65 mkg — | Standard-Ø (D) = 210 H6 mm Nominal Ø (D) = |
|---|---|

Abweichung / Deviation to be given in 1/100 mm $\phi 110$

| NR. No. | A | | B | | C | | D | | E | | Max. Abweichung Maximum deviation | Herst. Nr. Manuf. No. |
|------------|----|----|----|----|----|----|----|----|----|----|--------------------------------------|--------------------------|
| | 1 | 2 | 1 | 2 | 1 | 2 | 1 | 2 | 1 | 2 | | |
| 1 | 01 | 01 | 01 | 01 | 01 | 01 | 08 | 08 | 08 | 08 | | PW-10 |
| 2 | 01 | 01 | 01 | 01 | 01 | 01 | 06 | 06 | 06 | 06 | | PW-12 |
| 3 | | | | | | | | | | | | |
| 4 | | | | | | | | | | | | |
| 5 | | | | | | | | | | | | |
| 6 | | | | | | | | | | | | |
| 7 | | | | | | | | | | | | |
| 8 | | | | | | | | | | | | |

Bemerkungen:
Remarks:

| | | |
|-------------------------------|---------------------------|-------------------------|
| Gemessen von: Measured by: | Name: Name: M. Dammert | Datum: Date: 29.9.99 |
|-------------------------------|---------------------------|-------------------------|