

- Head form B / Head form J
- Cable socket, angle type
- Diesel engine dial thermometers



KOMBITEMP®
TEMPERATURE SENSORS WITH LOCAL DISPLAY



Including products with:



Dual temperature control with only one measuring point

Ideal for every application

The combination of electrical sensor with a local display has many advantages:

- Temperature monitoring from two completely independent measuring systems.
- Significantly increased accuracy, because the joint measuring point makes it possible to compare the electrical temperature sensor directly with the „on site“ display and vice versa.
- The installation costs for the temperature measuring instruments decrease because only one measuring point needs to be installed for the electrical temperature sensor and the local temperature measurement.
- The use of SIKA KombiTemp® increases the operational safety of the monitored plants because faulty electrical temperature sensors or industrial thermometers are immediately detected.
- Glass inserts and electrical temperature sensors conform with DIN standards, and can be replaced, except for the models K 122, K 422, K 510, K 520, and K 522.
- Upon request both temperature units, °C and °F, can be printed on the housing label (double scale display).



Description

The SIKA KombiTemp® consists of:

1. A SIKA-industrial glass thermometer with the following properties:
 - Shock proof
 - Very good readability
 - Very good long-term stability of the capillary accuracy
 - The capillaries of the thermometer are produced and calibrated in accordance with DIN 16195
 - The housing surface is protected against external influences by a thick anodised coating
2. At customer's request, an electrical temperature sensor in the same housing and immersion tube as the industrial thermometer:
 - Temperature sensors in accordance with DIN or customised
 - Any electrical connection options available



Industrial thermometers - Head form B

Type K 410 and K 420 for measuring ranges -60...200 °C

Housing

- Die cast aluminium, silver-coloured anodised
- Dimensions: 150 x 36 mm (L x W)

Thermometer capillaries

- Special glass prismatic, approx. 6 mm diameter
- Black burnt-in scale

Thermometer filling

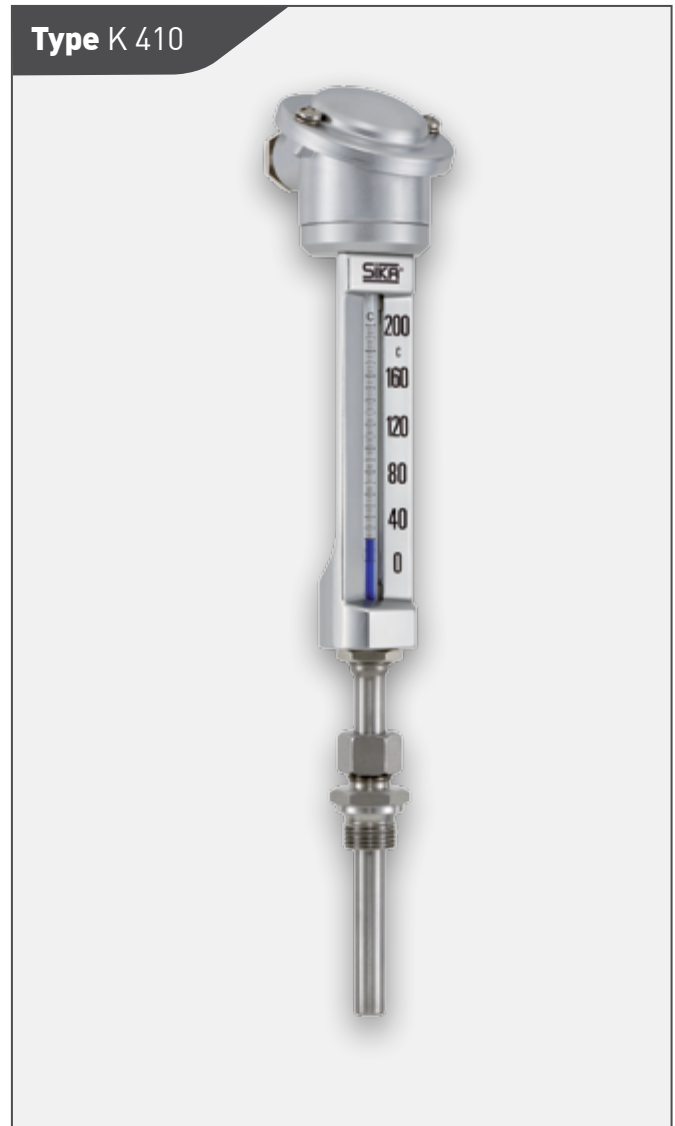
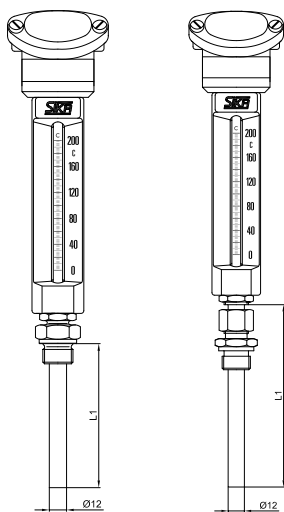
- Red (-60...40 °C)
- Blue (-30...200 °C)

Immersion tube

Diameter 12 x 1 mm

Immersion tube material

- Brass, up to PN 16 bar
- Stainless steel, up to PN 40 bar



Technical data	Type K 410	Type K 420
Design	Straight, clamp connection	Straight, fixed thread connection
Measuring range	-60...40 °C -30...50 °C 0...60 °C 0...100 °C 0...120 °C 0...160 °C 0...200 °C	
Immersion tube length L₁	135 mm or 160 mm	63 mm, 100 mm or 160 mm
Electrical connection	Head form B (DIN 43729)	
Mechanical connection	G½ A	G½ A, G¾ A or M20 x 1.5
Electrical temperature sensor	1x NiCr-Ni (type K) or 1x Fe-CuNi (type J), 2x NiCr-Ni (type K) or 2x Fe-CuNi (type J) 1x Pt100 / 3-wire, 2x Pt100 / 3-wire, 1x Pt1000 / 2-wire,	
Option head transmitter	4...20 mA or 0...10 V for Pt100	

Type K 510 and K 520 for measuring ranges -60...200 °C

Housing

- Die cast aluminium, silver-coloured anodised
- Dimensions: 150 x 36 mm (L x W)

Thermometer capillaries

- Special glass, approx. 5.5 mm diameter
- Black burnt-in scale

Thermometer filling

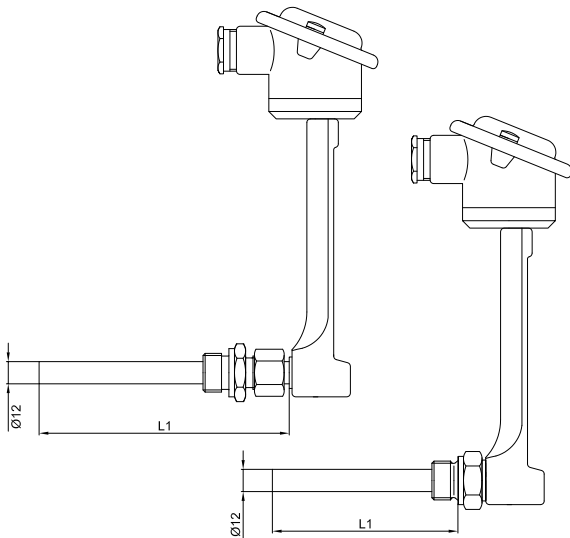
- Red (-60...40 °C)
- Blue (-30...200 °C)

Immersion tube

Diameter 12 x 1 mm

Immersion tube material

- Brass, up to PN 16 bar
- Stainless steel, up to PN 40 bar



Technical data	Type K 510	Type K 520
Design	90° clamp connection	90° fixed thread connection
Measuring range	-60...40 °C -30...50 °C 0...60 °C 0...100 °C 0...120 °C 0...160 °C 0...200 °C	
Immersion tube length L₁	135 mm or 160 mm	63 mm, 100 mm or 160 mm
Electrical connection	Head form B (DIN 43729)	
Mechanical connection	G½ A	G½ A or M20 x 1.5
Electrical temperature sensor	1x Pt100 / 3-wire / class B 1x Pt1000 / 2-wire / class B	
Option head transmitter	4...20 mA or 0...10 V for Pt100	

Type K 610 and K 620 for measuring ranges -60...200 °C

Housing

- Die cast aluminium, silver-coloured anodised
- Dimensions: 150 x 36 mm (L x W)

Thermometer capillaries

- Special glass, approx. 5.5 mm diameter
- Black burnt-in scale

Thermometer filling

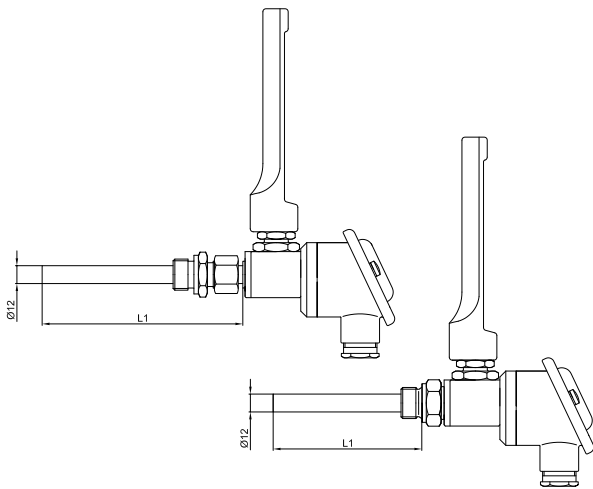
- Red (-60...40 °C)
- Blue (-30...200 °C)

Immersion tube

Diameter 12 x 1 mm

Immersion tube material

- Brass, up to PN 16 bar
- Stainless steel, up to PN 40 bar



Technical data	Type K 610	Type K 620
Design	90° clamp connection	90° fixed thread connection
Measuring range	-60...40 °C -30...50 °C 0...60 °C 0...100 °C 0...120 °C 0...160 °C 0...200 °C	
Immersion tube length L₁	135 mm or 160 mm	63 mm, 100 mm or 160 mm
Electrical connection	Head form B (DIN 43729)	
Mechanical connection	G½ A	G½ A or M20 x 1.5
Electrical temperature sensor	1 x NiCr-Ni (Type K) or 1 x Fe-CuNi (Type J), 2 x NiCr-Ni (Type K) or 2 x Fe-CuNi (Type J) 1 x Pt100 / 3-wire, 2 x Pt100 / 3-wire, 1 x Pt100 / 4-wire or 1 x Pt1000 / 2-wire (class B)	
Option head transmitter	4...20 mA or 0...10 V for Pt100	

Industrial thermometers - Head form J

Type K 110 and K 120 for measuring ranges -30...200 °C

Housing

- Die cast aluminium, silver-coloured anodised
- Dimensions: 110 x 30 mm (L x W)

Thermometer capillaries

- Special glass prismatic, approx. 6 mm diameter
- Black burnt-in scale

Thermometer filling

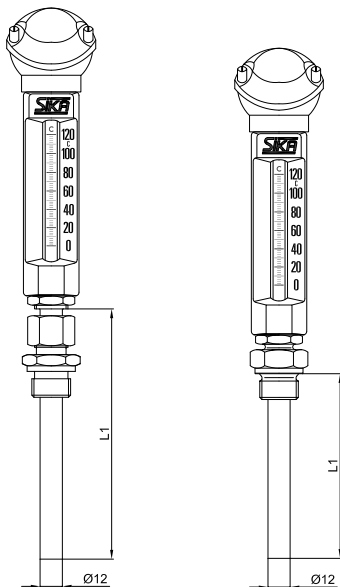
Blue

Immersion tube

Diameter 12 x 1 mm

Immersion tube material

- Brass, up to PN 16 bar
- Stainless steel, up to PN 40 bar



Technical data	Type K 110	Type K 120
Design	Traight, clamp connection	Straight, fixed thread connection
Measuring range	-30...50 °C 0...60 °C 0...100 °C 0...120 °C 0...160 °C 0...200 °C	
Immersion tube length L₁	135 mm or 160 mm	63 mm, 100 mm or 160 mm
Electrical connection	Head form J, top	
Mechanical connection	G½ A	G½ A or M20 x 1.5
Electrical temperature sensor	1x Pt100 / 3-wire / class B 1x Pt1000 / 2-wire / class B	
Option head transmitter	4...20 mA for Pt100	

Industrial thermometers - Cable socket, angle type

Type K 122 for measuring ranges -30...200 °C

Housing

- Die cast aluminium, gold-coloured anodised
- Dimensions: 110 x 30 mm (L x W)

Thermometer capillaries

- Special glass prismatic, approx. 6 mm diameter
- Black burnt-in scale

Thermometer filling

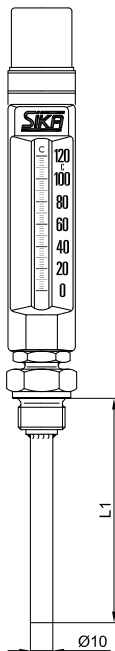
Blue

Immersion tube

Diameter 10 x 1 mm

Immersion tube material

- Brass, up to PN 16 bar
- Stainless steel, up to PN 40 bar



Technical data	Type K 122
Design	Straight, fixed thread connection
Measuring range	-30...50 °C 0...60 °C 0...100 °C 0...120 °C 0...160 °C 0...200 °C
Immersion tube length L₁	63 mm, 100 mm or 160 mm
Electrical connection	Cable socket, angle type DIN EN 175301-803
Mechanical connection	G½ A or M20 x 1.5
Electrical temperature sensor	1x Pt100 / 3-wire / class B 1x Pt1000 / 2-wire / class B

Type K 422 for measuring ranges -30...200 °C

Housing

- Die cast aluminium, gold-coloured anodised
- Dimensions: 150 x 36 mm (L x W)

Thermometer capillaries

- Special glass prismatic, approx. 6 mm diameter
- Black burnt-in scale

Thermometer filling

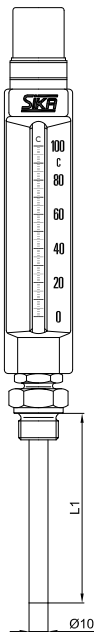
Blue

Immersion tube

Diameter 10 x 1 mm

Immersion tube material

- Brass, up to PN 16 bar
- Stainless steel, up to PN 40 bar



Technical data	Type K 422
Design	Straight, fixed thread connection
Measuring range	-30...50 °C 0...60 °C 0...100 °C 0...120 °C 0...160 °C 0...200 °C
Immersion tube length L₁	63 mm, 100 mm or 160 mm
Electrcal connection	Cable socket, angle type DIN EN 175301-803
Mechanical connection	G½ A or M20 x 1.5
Electrical temperature sensor	1x Pt100 / 3-wire / class B 1x Pt1000 / 2-wire / class B

Type K 522 for measuring ranges -30...200 °C

Housing

- Die cast aluminium, gold-coloured anodised
- Dimensions: 150 x 36 mm (L x W)

Thermometer capillaries

- Special glass prismatic, approx. 6 mm diameter
- Black burnt-in scale

Thermometer filling

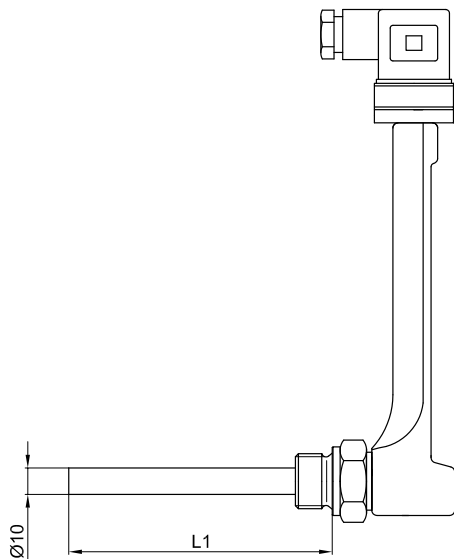
Blue

Immersion tube

Diameter 10 x 1 mm

Immersion tube material

- Brass, up to PN 16 bar
- Stainless steel, up to PN 40 bar



Type K 522



Technical data	Type K 522
Design	90° fixed thread connection
Measuring range	-30...50 °C 0...60 °C 0...100 °C 0...120 °C 0...160 °C 0...200 °C
Immersion tube length L₁	63 mm, 100 mm or 160 mm
Electrical connection	Cable socket, angle type DIN EN 175301-803
Mechanical connection	G½ A or M20 x 1.5
Electrical temperature sensor	1x Pt100 / 3-wire / class B 1x Pt1000 / 2-wire / class B

Type K 130 for measuring ranges -30...200 °C

Housing

- Die cast aluminium, gold-coloured anodised
- Dimensions: 110 x 30 mm (L x W)

Thermometer capillaries

- Special glass prismatic, approx. 6 mm diameter
- Black burnt-in scale

Thermometer filling

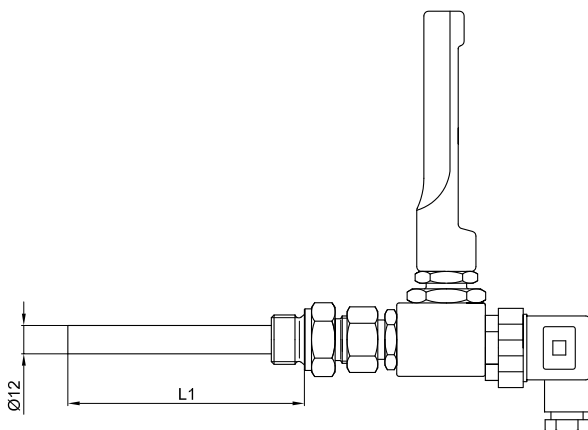
Blue

Immersion tube

Diameter 12 x 1 mm

Immersion tube material

- Brass, up to PN 16 bar
- Stainless steel, up to PN 40 bar



Technical data	Type K 130
Design	90° fixed thread connection
Measuring range	-30...50 °C 0...60 °C 0...100 °C 0...120 °C 0...160 °C 0...200 °C
Immersion tube length L₁	63 mm, 100 mm or 160 mm
Electrical connection	Cable socket, angle type DIN EN 175301-803
Mechanical connection	G½ A or M20 x 1.5
Electrical temperature sensor	1x Pt100 / 3-wire / class B 1x Pt1000 / 2-wire / class B

Order code

Choose your KombiTemp® (only industrial thermometers)

Type	Head form B				
	K 410	K 420	K 510	K 520	K 610
Measuring range					
-60...40 °C	64	64	64	64	64
-30...50 °C	35	35	35	35	35
0...60 °C	06	06	06	06	06
0...100 °C	10	10	10	10	10
0...120 °C	12	12	12	12	12
0...160 °C	16	16	16	16	16
0...200 °C	20	20	20	20	20
Immersion tube length					
63 mm		063		063	
100 mm		100		100	
135 mm	135		135		135
160 mm	160	160	160	160	160
Mechanical connection					
G½ A	2	2	2	2	2
G¾ A		3			
M20 x 1.5		7		7	
Immersion tube material					
Brass	1	1	1	1	1
Stainless steel	3	3	3	3	3
Electrical temperature sensor					
1x Pt100 / 3-wire	1	1	1	1	1
2x Pt100 / 3-wire	4	4			4
1x Pt100 / 4-wire					8
1x Pt1000 / 2-wire	7	7	7	7	7
1x NiCr-Ni (Type K)	2	2			2
2x NiCr-Ni (Type K)	5	5			5
1x Fe-CuNi (Type J)	3	3			3
2x Fe-CuNi (Type J)	6	6			6
Head transmitter					
Without a transmitter	0	0	0	0	0
With 4...20 mA	1	1	1	1	1
With 0...10 V	2	2	2	2	2
Scale					
Only °C	0	0	0	0	0
°C and °F				2	



Example: KombiTemp® K 110 with measuring range between 0...60 °C, immersion tube length 135 mm, G½ A connection, made of brass with electrical temperature sensor Pt1000 / 2-wire, without head transmitter and scaled in °C is due to order number: K1100613521700

ATTENTION - you have to choose an option on every property to get the 14-character order number

	Head form J			Cable socket, angle type			
	K 620	K 110	K 120	K 122	K 422	K 522	K 130
64							
35	35	35	35	35	35	35	35
06	06	06	06	06	06	06	06
10	10	10	10	10	10	10	10
12	12	12	12	12	12	12	12
16	16	16	16	16	16	16	16
20	20	20	20	20	20	20	20
063		063	063	063	063	063	063
100	135	100	100	100	100	100	100
160	160	160	160	160	160	160	160
2	2	2	2	2	2	2	2
7		7	7	7	7	7	7
1	1	1	1	1	1	1	1
3	3	3	3	3	3	3	3
1	1	1	1	1	1	1	1
4	4	4	4				4
8							
7	7	7	7	7	7	7	7
2	2	2	2				2
5							
3	3	3	3				3
6							
0	0	0	0	0	0	0	0
1	1	1	1				
2							
0	0	0	0	0	0	0	0
				2	2		2

Diesel engine dial thermometers

Type K 8312 for measuring ranges 50...650 °C

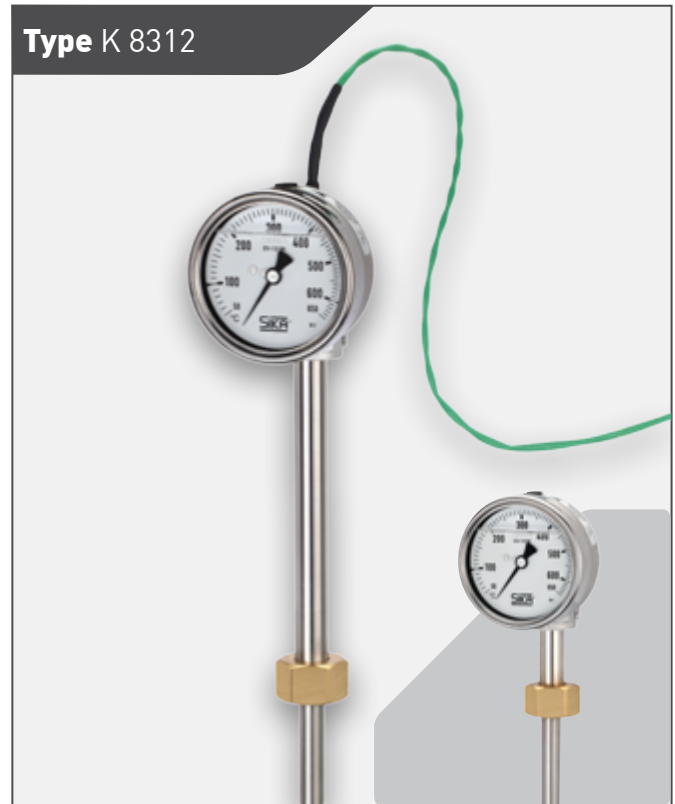
KombiTemp® K 8312 dial thermometers are the ideal solution for combined temperature measurement of exhaust gas on large diesel engines.

The dial thermometer displays the temperature locally whereas the integrated sensor provides the basis for the corresponding electrical signal to be transmitted to the engine control room. Measuring in the same measuring point saves cost and ensures matching temperature values both at the local display as well as in the vessel's electronic system.

SIKA offers two different versions for common diesel engine types: version 1 for 4-stroke engines and version two for 2-stroke engines.

Performance features

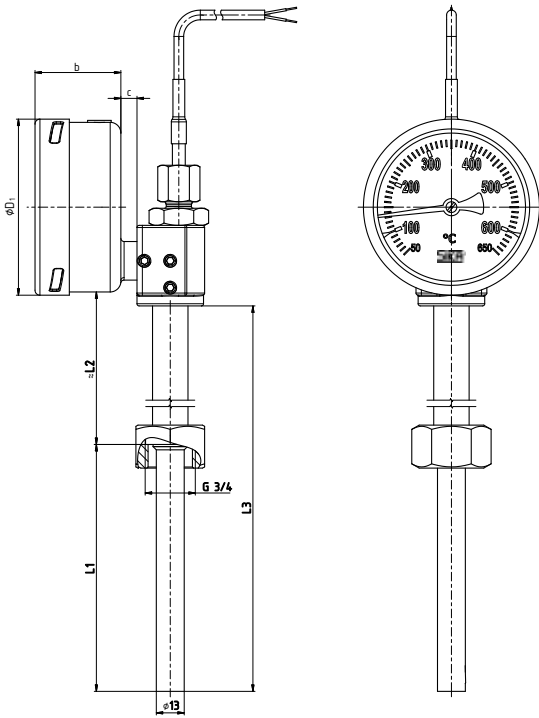
- Two in one measuring point temperature measurement
- Matching indicator values of dial thermometer and temperature sensor
- With thermocouple type K
- Suitable solid material protection tube available



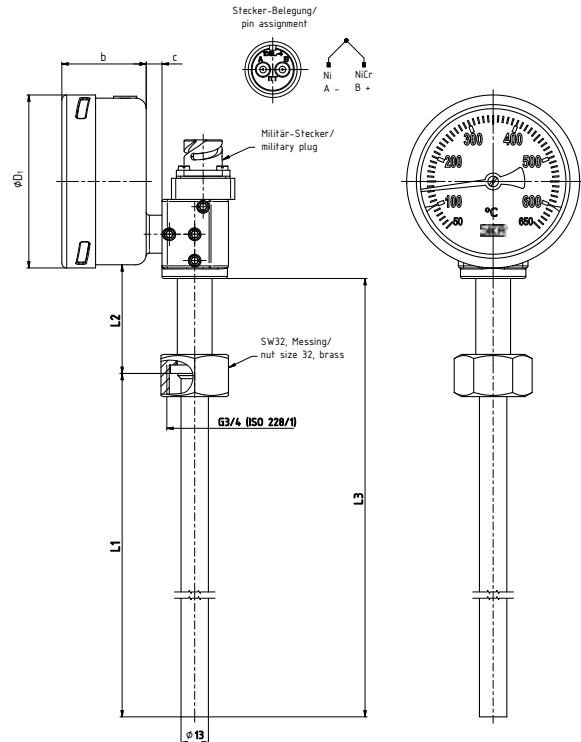
Technical data	
Case	Bayonet ring case, st. steel 1.4301
Nominal size	80 mm
Case filling	Silicone oil
Dial	White coloured, black markings
Measuring range	50...650 °C
System / accuracy	Gas-filled dial thermometer acc. 1,0, DIN EN 13190, Thermocouple type K (NiCr-Ni), class 2.0
Electrical connection	Cable output with 1.5 m cable length (version 1) 2 pole MIL connector, without cable (version 2)
Degree of protection	Dial thermometer IP65 Electrical sensor IP56
Connection position	Bottom connection
Immersion tube length / material	l1=115 x Ø 13 mm (version 1), st. steel 1.4571 l1=220 x Ø 13 mm (version 2), st. steel 1.4571
Connection thread / material	Union Nut, G¾, brass

Dimensions and order code

Type K8312 - version 1

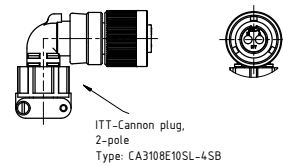


Type K8312 - version 2



Dimensions [mm]	b	c	ØD ₁	L ₁	L ₂	L ₃
Version 1	40	7.5	82	115	165	274
Version 2	40	7.5	82	220	51.5	265

90° angle military plug



Order code	
KombiTemp K8312 - version 1	K8312V5610000001
KombiTemp K8312 - version 2	K8312V5610000002
90° angle military plug	XMT0004